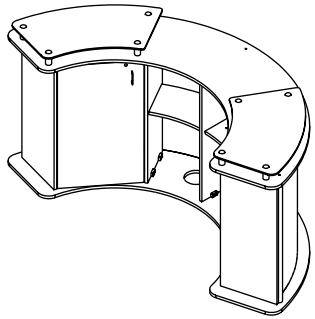
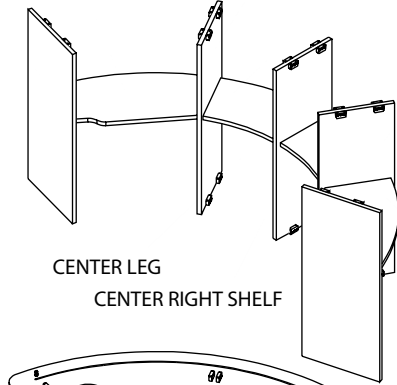


COFFEE BAR

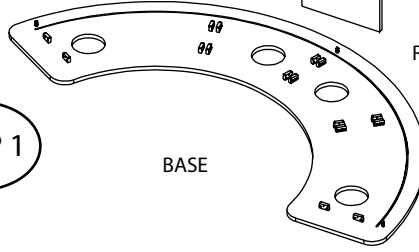


LOCATE PARTS OF COFFEE BAR AND FOLLOW THESE STEPS TO BUILD UNIT USING METAL PINS TO LOCK ALL PARTS IN POSITION

LEFT LEG LEFT SHELF CENTER LEFT LEG CENTER LEFT SHELF

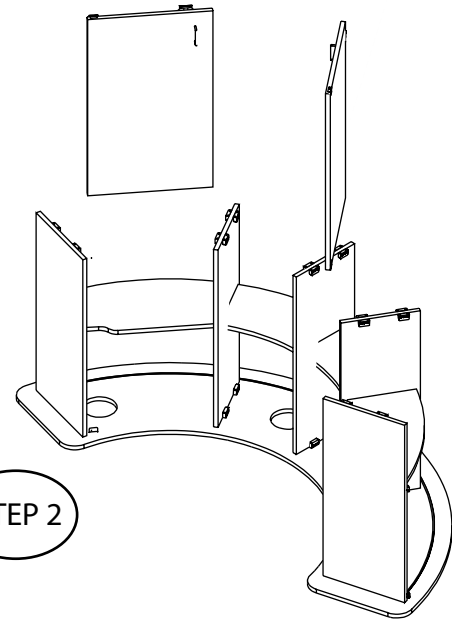


STEP 1

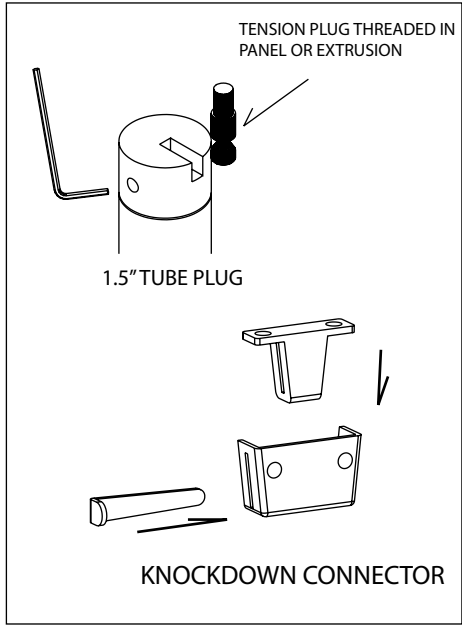


BASE

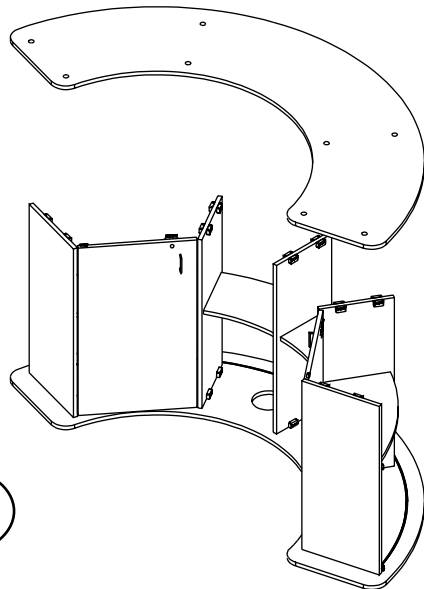
LEFT DOOR RIGHT DOOR



STEP 2



TOP



STEP 3

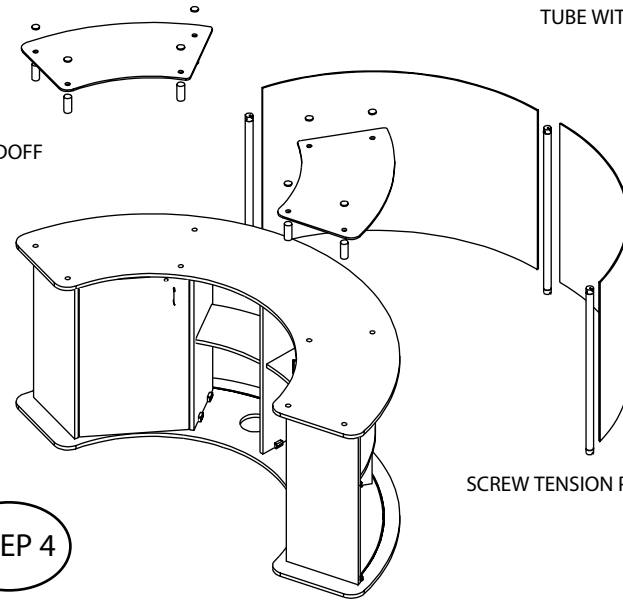
PLEXI TOP

PUCK

TUBE WITH PLUG

STANDOFF

GRAPHIC PANEL



STEP 4

SCREW TENSION PLUGS IN BASE AND TOP

***PLACE GRAPHIC CAREFULLY INTO SLOTS TOP AND BASE BEFORE LOCKING TOP IN POSITION**